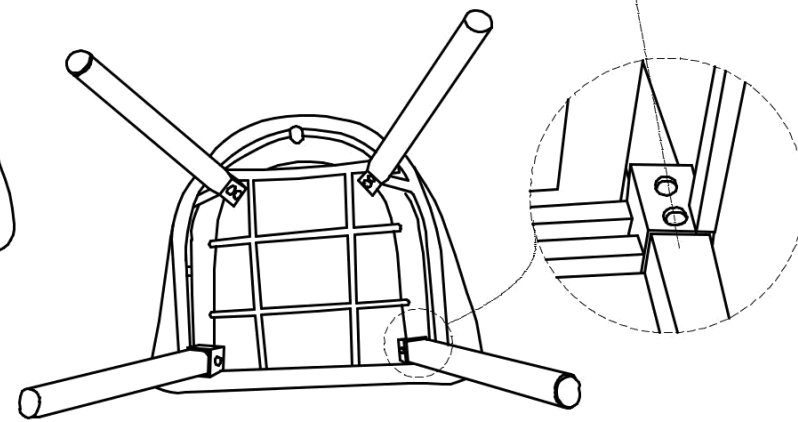
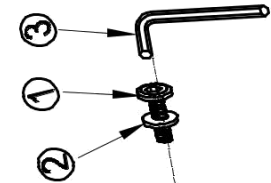
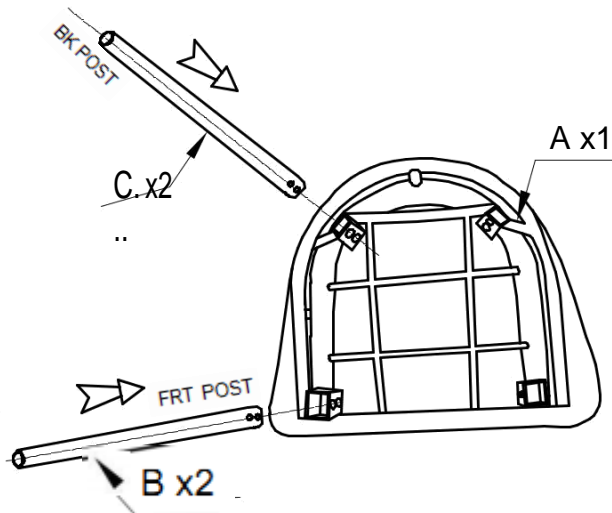
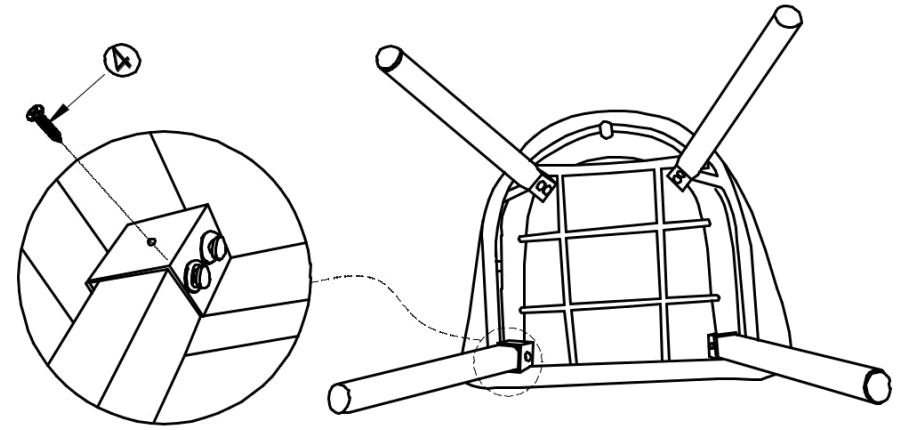


STEP 1:



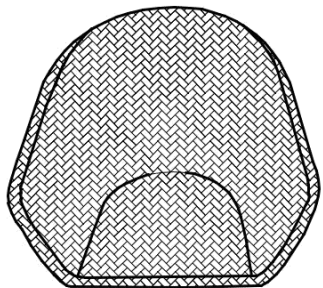
STEP 2



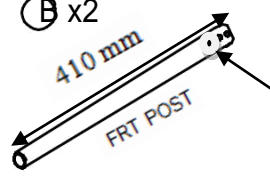
OBS !

Note: Tighten bolt and washer 80% only in each step.
Then tighten 20% more to complete

A x1



B x2



C x2

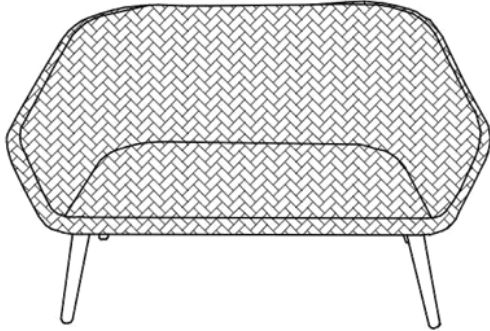


HARDWARE LIST

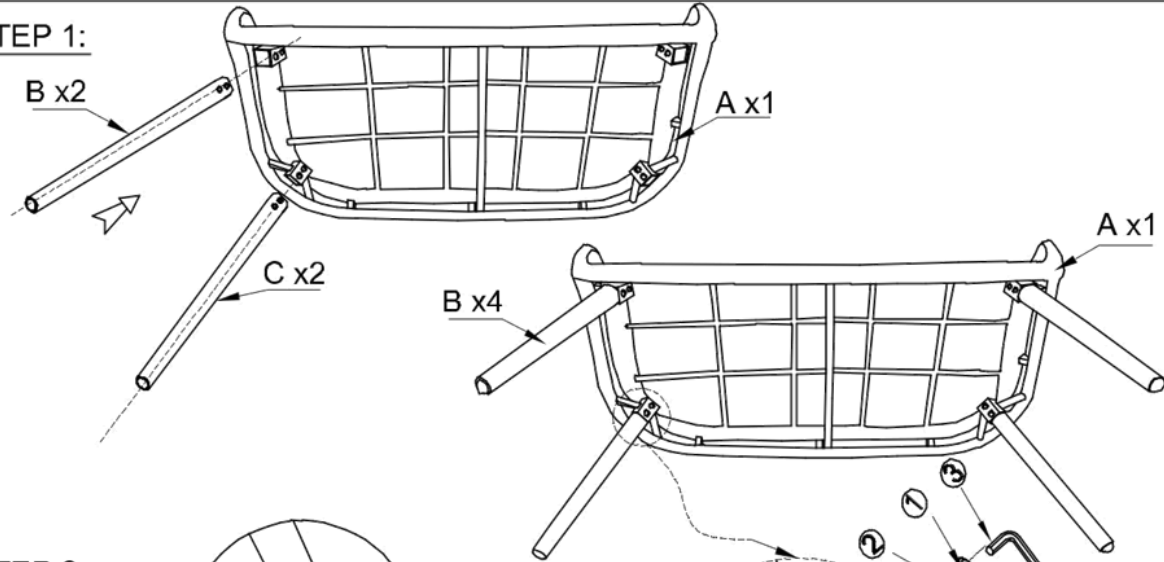
Code	Description	Qty
1	BOLT - M6x20mm	8 pcs
2	FLAT WASHER	8 pcs
3	ALLEN WRENCH	1 pcs
4	SCREW	2 pcs

Brafab

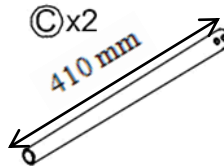
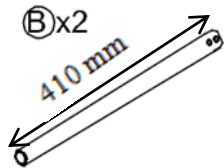
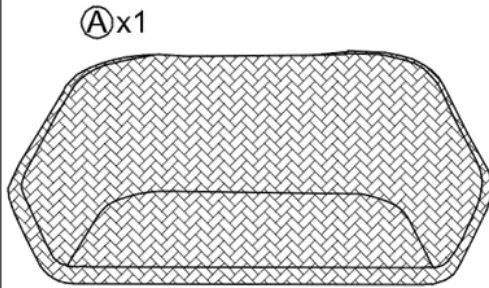
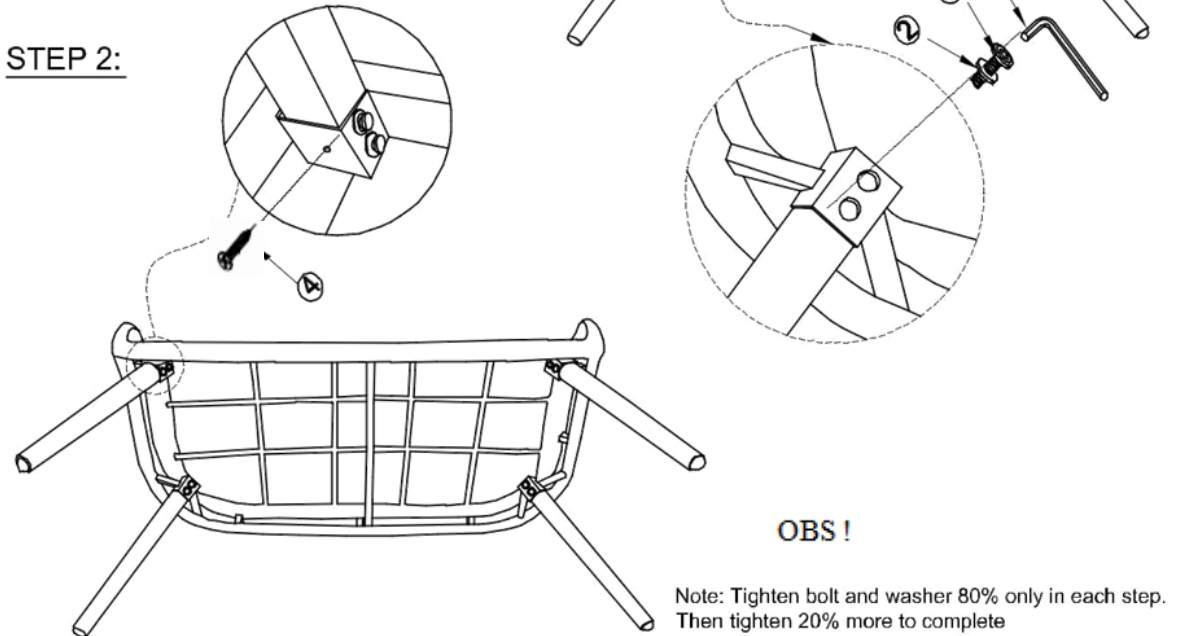
ASSEMBLY INSTRUCTION



STEP 1:



STEP 2:



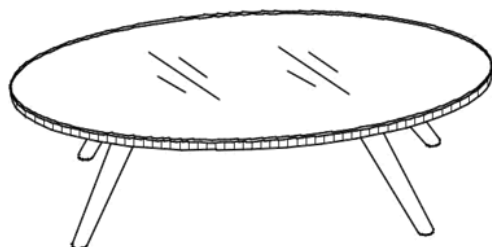
HARDWARE LIST

Code	Description	Qty
1	BOLT - M6x20mm	8 pcs
2	FLAT WASHER	8 pcs
3	ALLEN WRENCH	1 pcs
4	SCREW	2 pcs

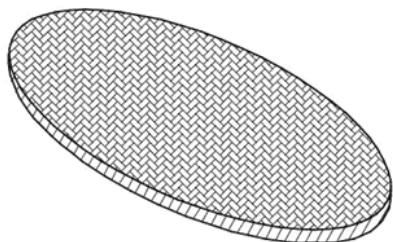
MADE IN VIET NAM

Brafab

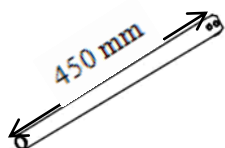
ASSEMBLY INSTRUCTION






A x1



B x4

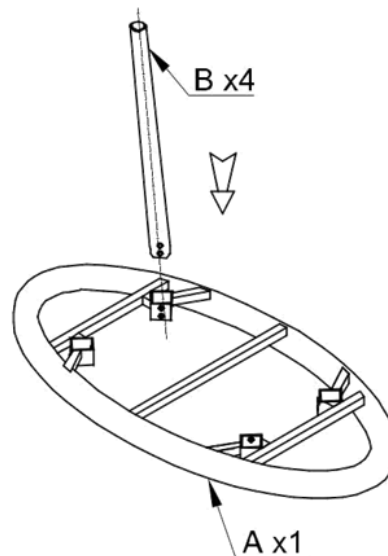


HARDWARE LIST

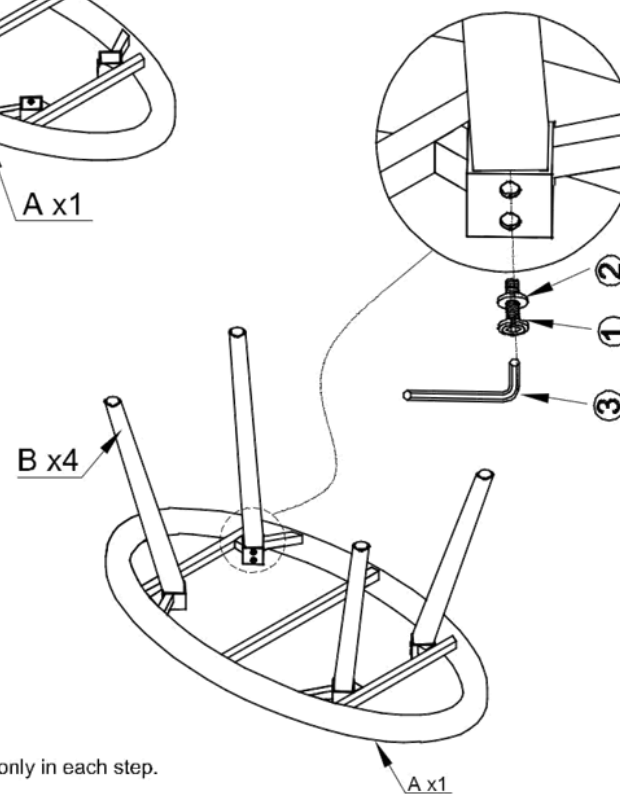
Code	Description		Qty
1	BOLT - M6x20mm		8 pcs
2	FLAT WASHER		8 pcs
3	ALLEN WRENCH		1 pcs

MADE IN VIET NAM

STEP 1:



STEP 2:



OBS!

Note: Tighten bolt and washer 80% only in each step.
Then tighten 20% more to complete