

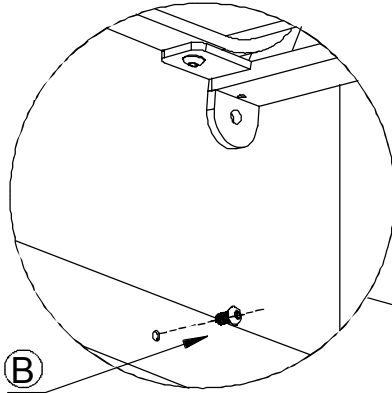
We recommend two people be on hand for this assembly

- Tools required :
- 4mm allen key (included)
 - Wood Block (included)

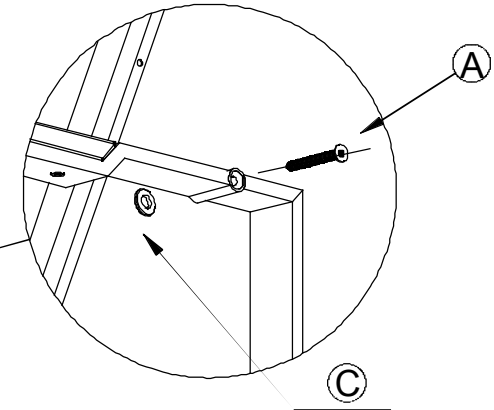
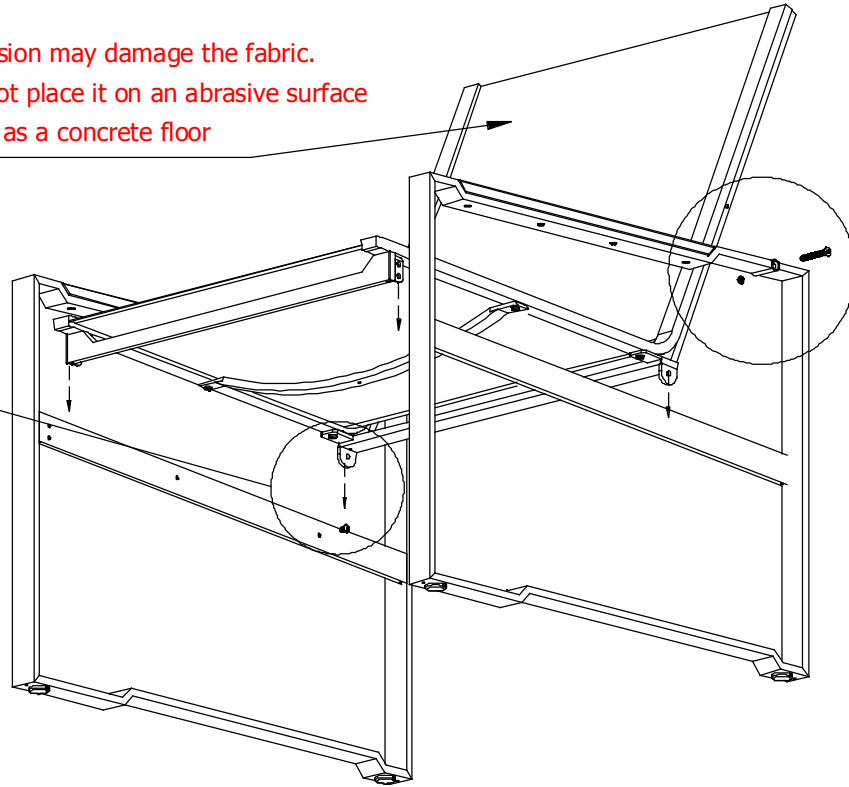
GOTLAND ARMCHAIR STANILE/BLACK

ASSEMBLY INSTRUCTION

①



Abrasion may damage the fabric.
Do not place it on an abrasive surface
such as a concrete floor



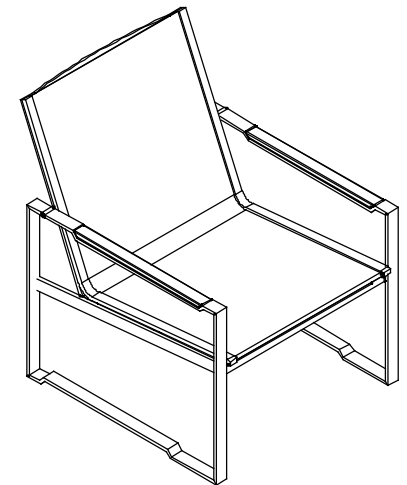
1. Line the seat/back assembly up with the 8 holes in the side frames (6 in side rails and 2 in arms)

2. Loosely secure the side frames to the seat starting with M6x50 bolts for the arms (do not leave out the two PE washers), then starting from the rear of the seat, loosely secure the dome head M6x10mm bolts in place.

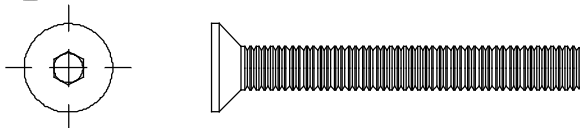
3. Tighten all bolts fully.

4. Check the levelness of the assembled chair on a flat surface. If the frame is not completely level, then place the supplied wood block under one of the two legs that is in contact with the floor and gently push down on opposite two legs.

②

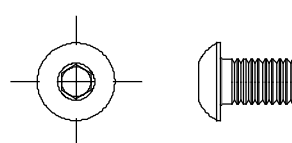


A Flat Head M6x50mm



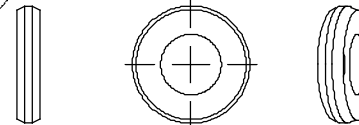
2 pcs

B Dome Head M6x10mm



6 pcs

C PE Washer \varnothing 8 mm



2 PCS