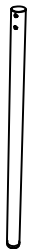
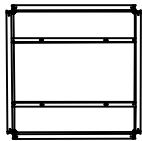

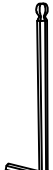


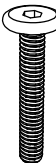

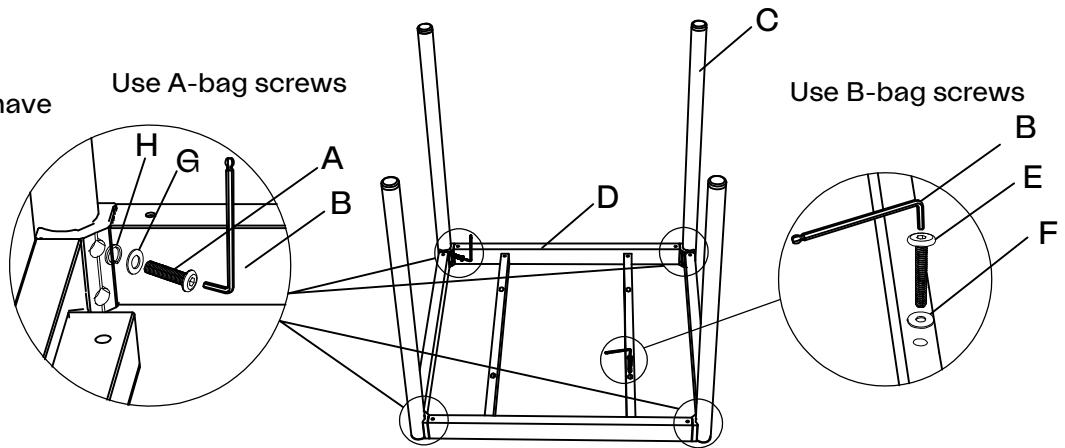
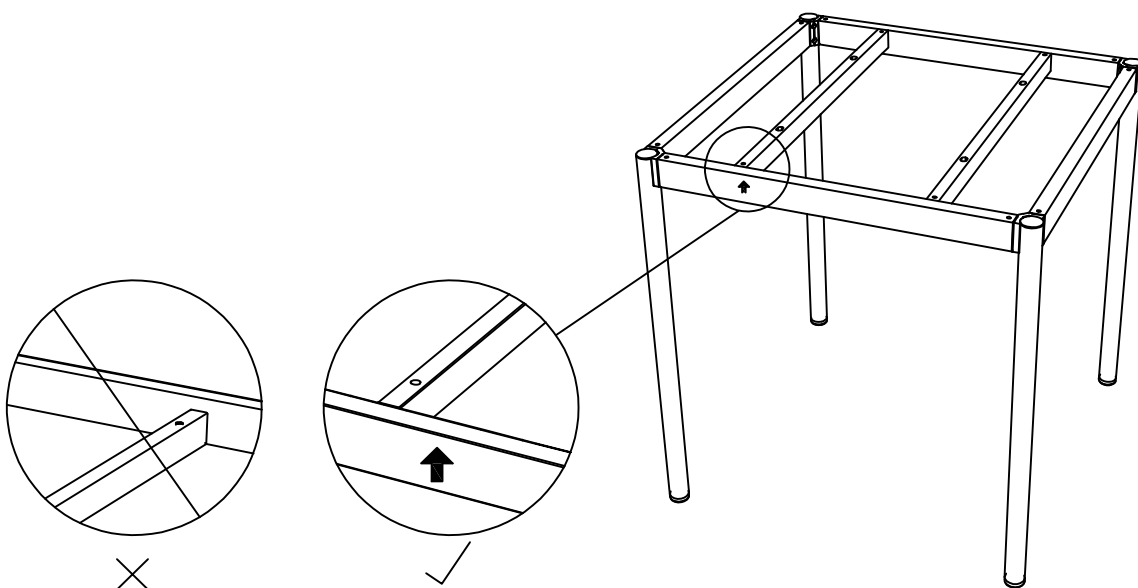


A	B	G	H	C	D	E	F		
A-bag screws						B-bag screws			
									
M8*35	4mm	Ø8*17*1.5	M8			M6*40	Ø6*16*1.0		
8PCS	1PC	8PCS	8PCS	4PCS	1PC	4PCS	4PCS		

Don't tighten the screws until you have all screws on.



Note: B bag screws are used for assembling HPL top.



Please follow the arrow direction to assemble HPL top.